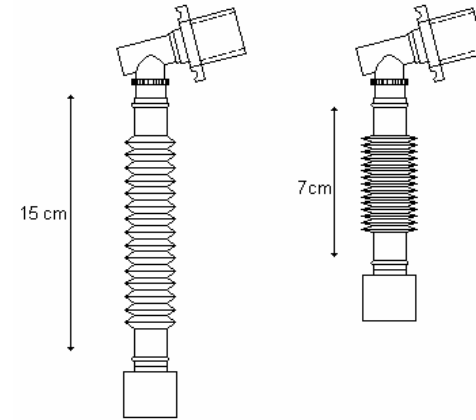


# Hilfsmittel

## Catheter Mount (Swivel/non-Swivel)



### Product Feature

- Made from non-toxic medical grade compound
- With port and cap
- Double swivel mask elbow
- Length adjustable from 70mm to 120mm
- Customizable fitting rear (22F/M, 15F/M)
- Elbow with 22M/15F ISO fitting

### Comcorde Medical (M) Sdn. Bhd.

No. 1, Jalan 11/32B,  
TSI Business Industrial Park,  
6½ Mile Off Jalan Kepong,  
52000 Kuala Lumpur  
Malaysia

Tel No 603-6250 9657  
Fax No 603-7491 9121  
Website [www.comcorde.com.my](http://www.comcorde.com.my)  
Email [sales@comcorde.com.my](mailto:sales@comcorde.com.my)



# Hilfsmittel

CM-AO-1010	CM-AO-1011	CM-AO-1012	CM-AO-1013	CM-AO-1014	CM-AO-1015	CM-AO-1016	CM-AO-1017	CM-AO-1018	CM-AO-1018-F	CM-AO-1019	CM-AO-1019-F
Collapsible	Collapsible	Collapsible	Collapsible	Flexible	Flexible	Flexible	Flexible	Collapsible	Collapsible	Flexible	Flexible
22F	22F	15M	15M	22F	22F	15M	15M	22M/15F	22M/15F	22M/15F	22M/15F
Fixed	Swivel	Fixed	Swivel	Fixed	Swivel	Fixed	Swivel	Swivel	Fixed	Swivel	Fixed

## Comcorde Medical (M) Sdn. Bhd.

No. 1, Jalan 11/32B,  
 TSI Business Industrial Park,  
 6½ Mile Off Jalan Kepong,  
 52000 Kuala Lumpur  
 Malaysia

Tel No 603-6250 9657  
 Fax No 603-7491 9121  
 Website [www.comcorde.com.my](http://www.comcorde.com.my)  
 Email [sales@comcorde.com.my](mailto:sales@comcorde.com.my)

