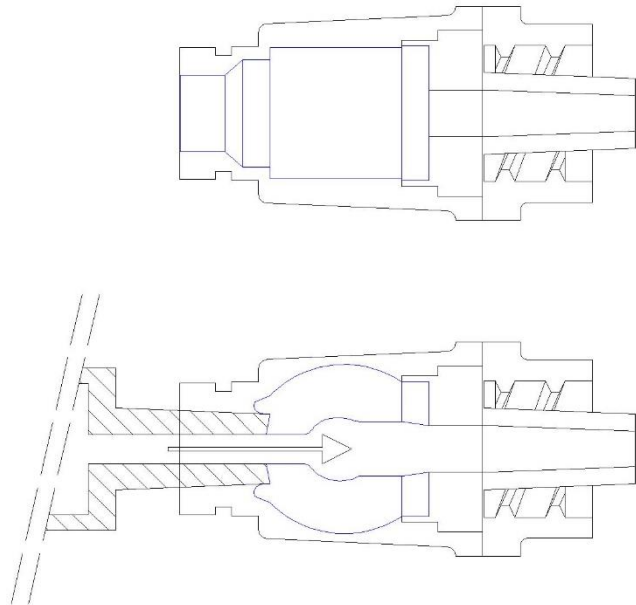


# Hilfsmittel®

## Needle Free Valve



### Product Feature

- Made from non-toxic medical grade compound
- Provides safety for health care workers and patients
- Swab able connector which require no additional caps or cannula
- Small size (23mm length, 11mm wide)
- Priming volume less than 0.1ml
- Flow rate not less than 250ml/min
- Clear casing
- Per strip of 5's
- Individually packed, sterilized by E.T.O
- Made in Malaysia

Cat. No.	Description	Pack Per Box
CM-NF	Needle free valve	500

**CoMcorde Medical (M) Sdn. Bhd.**  
 No. 1, Jalan 11/32B,  
 TSI Business Industrial Park,  
 6½ Mile Off Jalan Kepong,  
 52000 Kuala Lumpur  
 Malaysia



**Tel No** 603-62433245  
**Fax No** 603-62433246  
**Website**  
[www.comcorde.com.my](http://www.comcorde.com.my)  
**Email**  
[sales@comcorde.com.my](mailto:sales@comcorde.com.my)

